

ISM00D

NANO

User Guide

Please read and understand this manual
carefully before using this product.



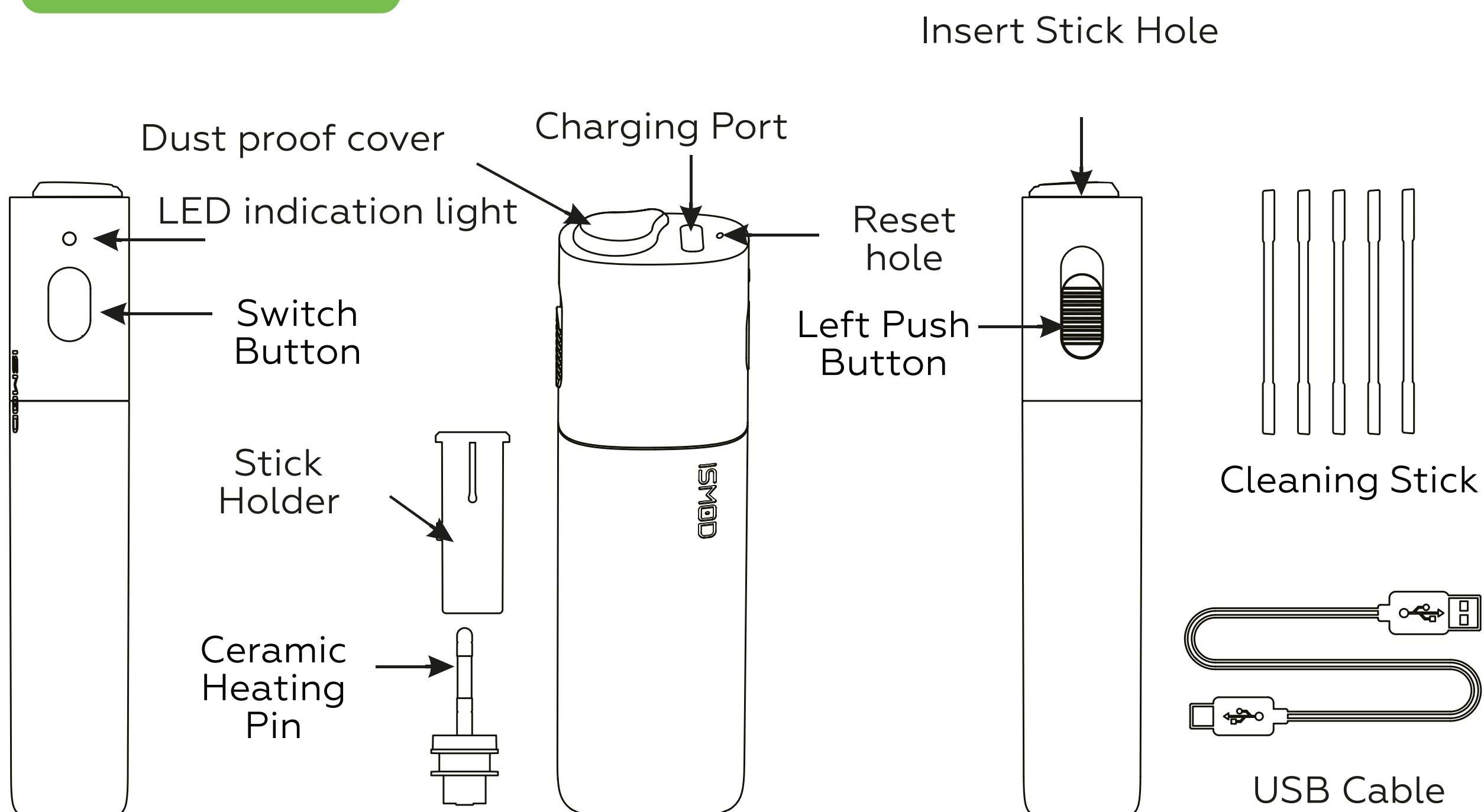
1. SAFETY WARNINGS AND INSTRUCTIONS

1. When you pick up and check the device after delivery, make sure the device is turned off.
2. This device is not suitable for: persons under the age of 18; children, pregnant women, nursing mothers; people with heart disease, high blood pressure, diabetes, nicotine allergies or who take medication to treat depression, asthma and other groups.
3. Keep the device and its components out of the reach of children and pets.
4. Store the device at room temperature. Do not expose the device to excessive heat or humidity.
5. Do not immerse any part or component of the device in water.
6. Do not use this device where flammable substances, liquids, gases or oxygen are present.
7. Do not use this device while it is charging.
8. Do not use a charging device that does not meet the charging requirements.
9. Before cleaning, opening or making direct contact with the internal heating components, you must check that the main body of the device has cooled down.
10. Please use and store the device at an ambient temperature of 5-40. A lower or higher temperature environment may temporarily reduce battery life or cause damage to the device.
11. If you notice any abnormal situation such as smell, or smoke, immediately stop the charging and usage, and contact your service provider.
12. If the battery is leaking from the product, avoid contact with skin and eyes. If you accidentally touch it, immediately wash with clean water and immediately consult a doctor.
13. The precautions contained in the user guide cannot cover all possible situations.

2. OVERVIEW

ISMOD NANO device for heating non-combustible tobacco with large capacity lithium battery, smart and modular design, easy to carry and use.

3. STRUCTURE



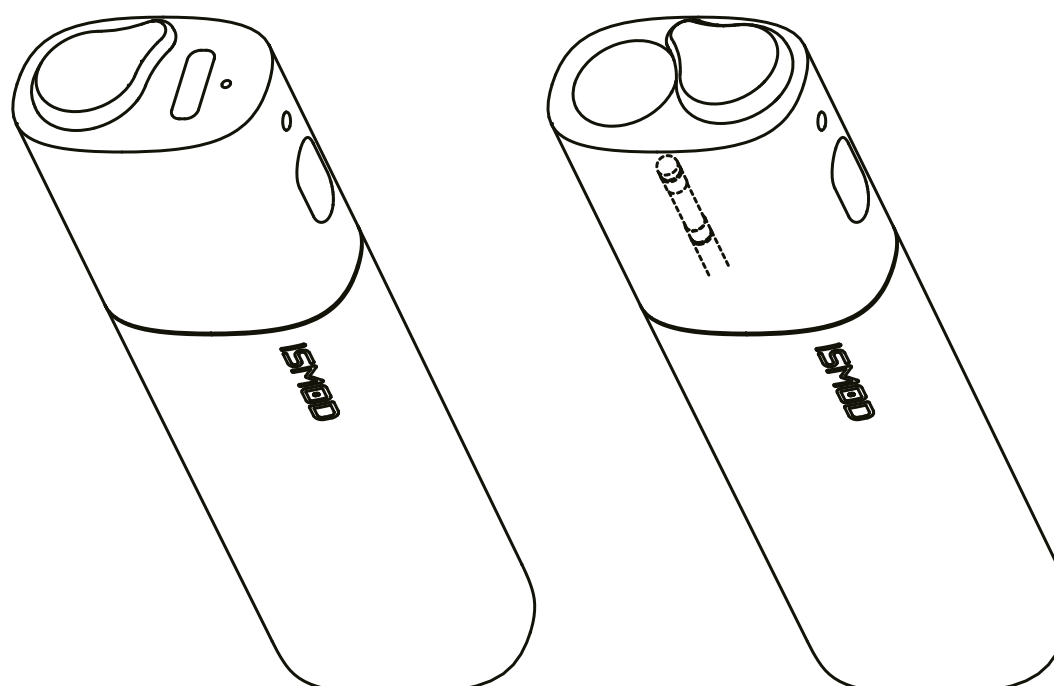
4. SPECIFICATIONS

Model	ISMOD NANO
Battery Capacity	1500 mAh, 3,7 V
Charging Time	Approx. 1.5 hours
Charging Method	USB-Charging port: type C ; Charger setting: 5V/2A
Preheat Duration	15 seconds
Working Duration	15 puffs or 300 seconds
Working Environment Temperature	5-40 °C
Product Size	27 mm (w) X 17 mm (L) X 90 mm (H)
Product Weight	48 grams
Upon Full Charge	≥ 20 cartridges non-combustible tobacco

5. OPERATING INSTRUCTIONS

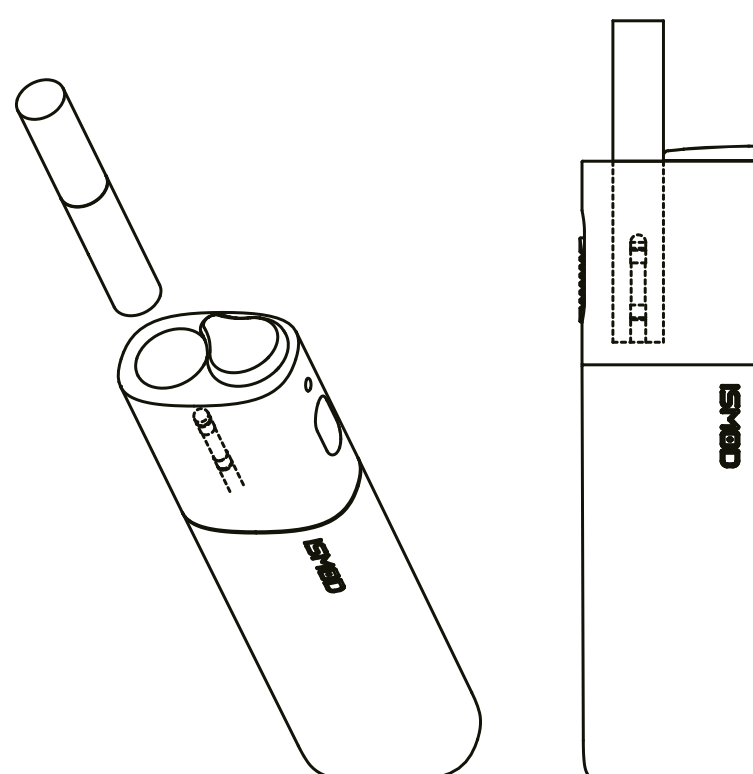
1. PREPARATION

Rotate the dust proof cover



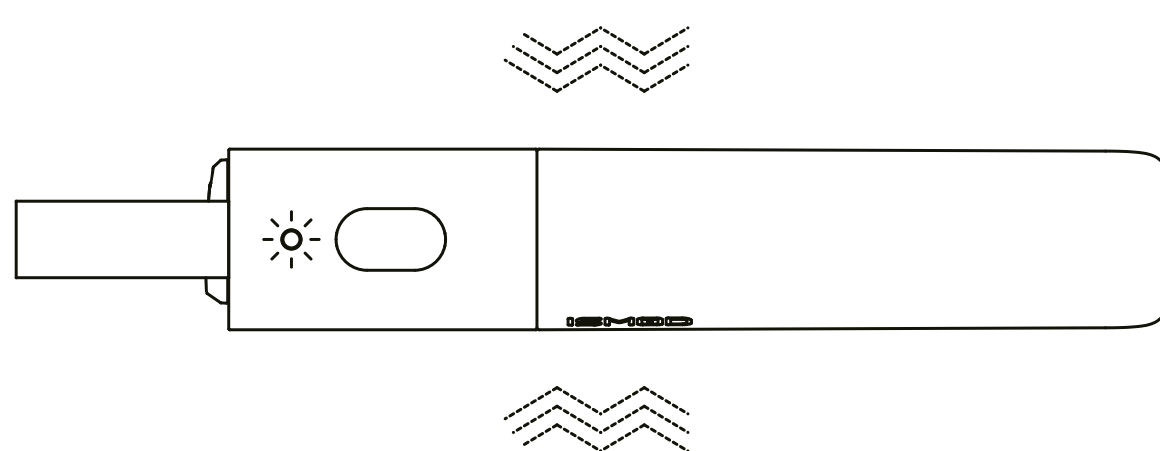
2. INSERTING NON-COMBUSTIBLE TOBACCO

Place the cartridge of non-combustible tobacco upright in the chamber, placing the filter outside.



3. HEATING

Press and hold the button for 1.5 seconds until the LED flashes white and the device makes the first vibration.



The LED indicator shows a constant heating mode

The device starts with pre-heating, the duration of pre-heating is 15 seconds.

When the LED indicator light turns solid blue and the second vibration appears, you can start enjoying 4 minutes and 45 seconds of consumption.

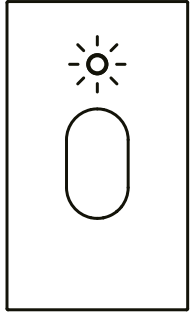
When the consumption time reaches the last 30 seconds or reaches the 13th puff, a third vibration will occur, and the LED indicator light will begin to flash white, indicating that the heating period is almost finished.

When the entire consumption time is over or after the 15th puffs, a fourth vibration will appear, and the LED indicator light will turn off, indicating that the entire heating process is complete.

Temperature Adjustment Mode (TA):

To start TA mode, press the button 5 times quickly.

The LED light colour indicates the following:



● Green LED indicator: Low temperature

○ White LED indicator: Middle temperature

● Purple LED indicator: High temperature

Press the button quickly 5 times to change the temperature heating mode, the LED indicator light will flash green, white and purple alternately.

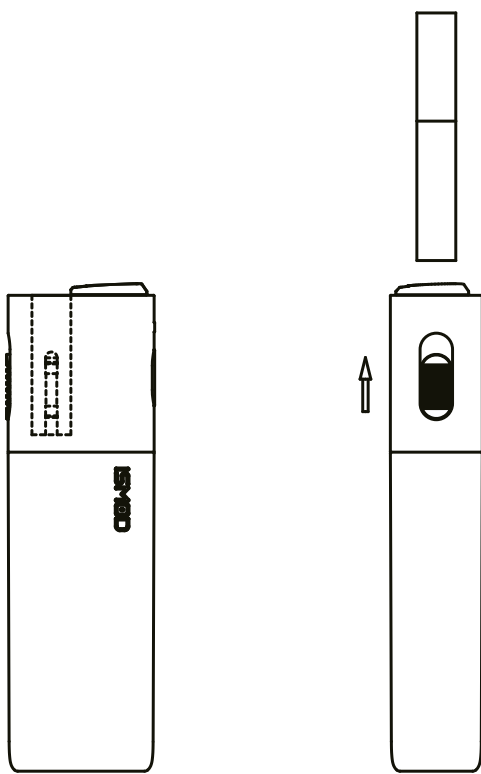
Wait for the light indicator to perform a self-test, i.e., to stop shining.

Press the button to change the heating mode, one click shows the current heating mode.

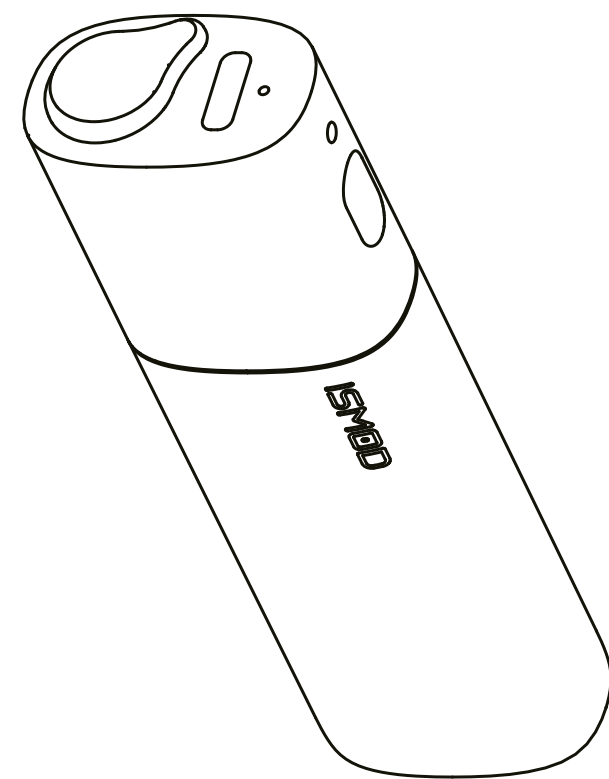
Press and hold the power button to confirm the heating mode or wait 10 seconds to exit the (TA) mode.

4. REMOVAL OF NON-COMBUSTIBLE TOBACCO CARTRIDGE

(1) Press the push button up and the non-combustible tobacco cartridge will come out of the cartridge holder.



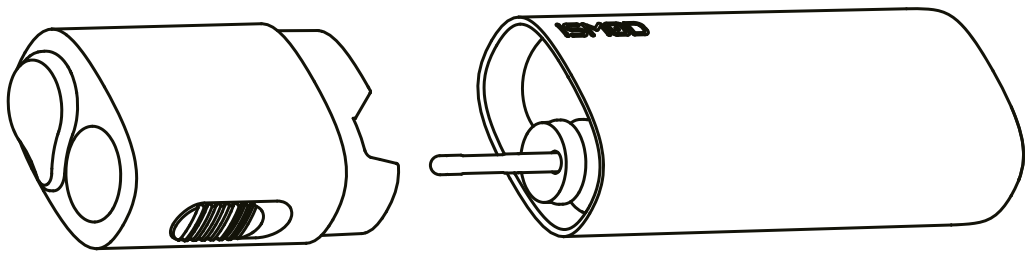
(2) Remove the non-combustible tobacco cartridge and twist the protective cap



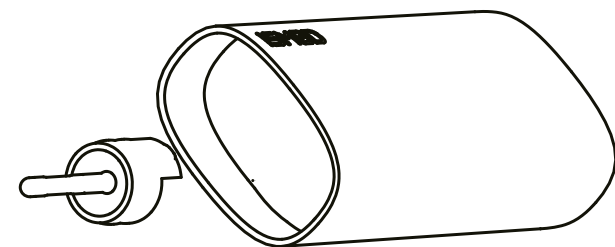
5. CLEANING THE HEATING CHAMBER

Make sure the device is switched off and cooled down before cleaning.

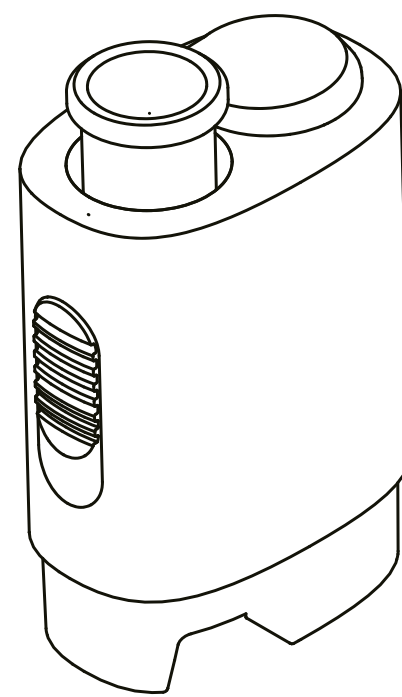
(1) Detach the top cover from the main body of the device



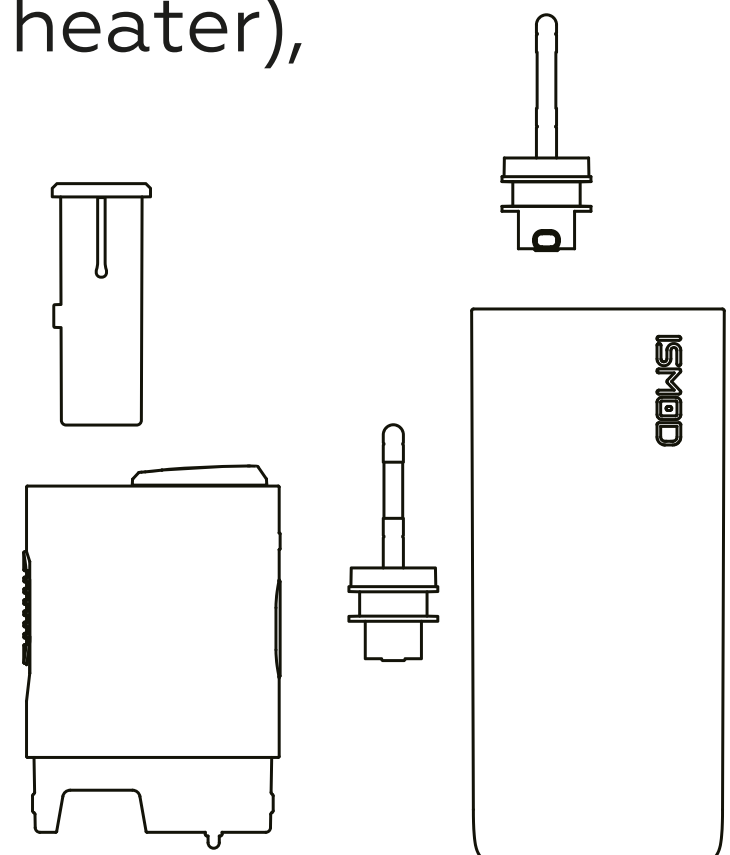
(2) Pull out the heater part from the main body of the device



(3) Pull the button up on the holder for the non-combustible tobacco cartridge

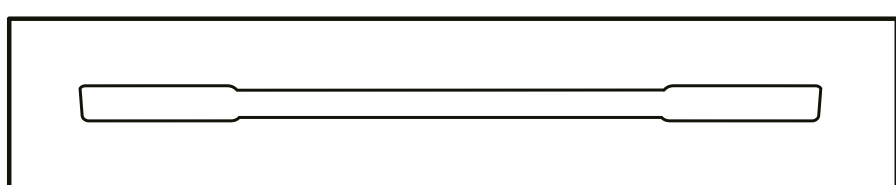


(4) Pull out the parts (cartridge holder and heater), then use the cleaning stick to clean the heating chamber

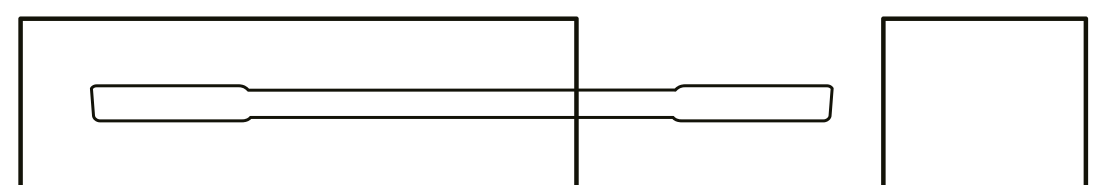


How to use the cleaning sticks?

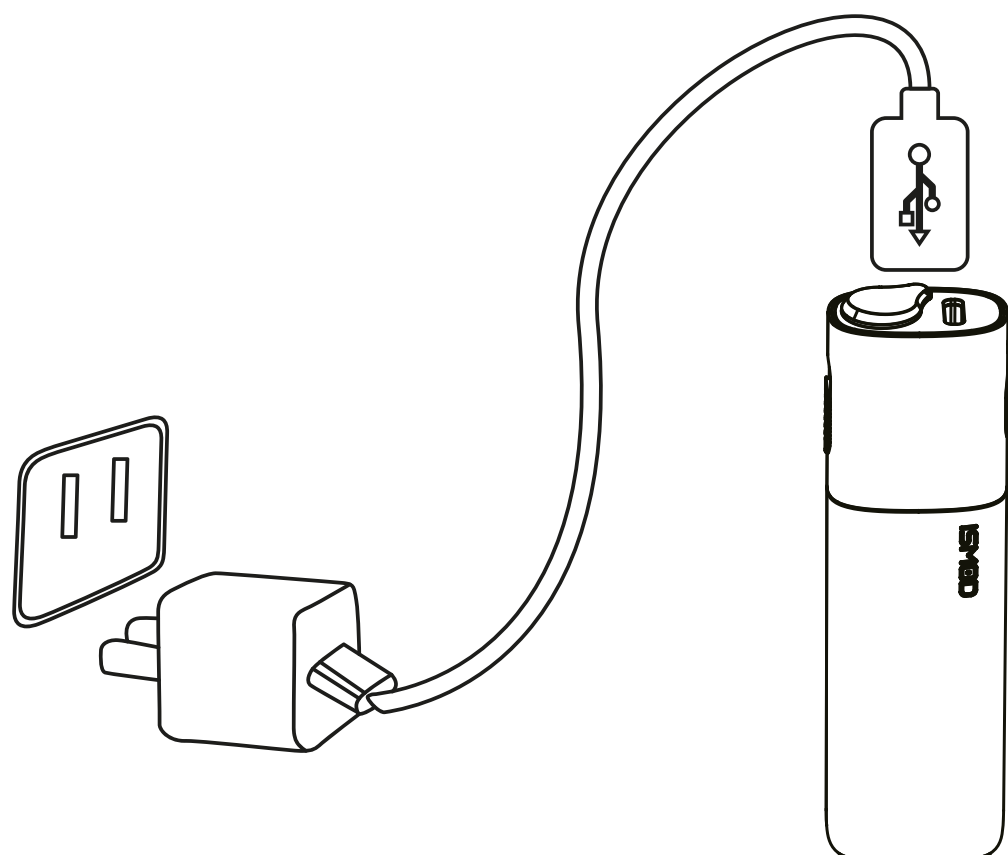
1. Take out a cleaning stick



2. Remove the protective film from the packaging and remove the stick.



6. CHARGER



Connect the USB cable to the charging adapter.

The LED light will flash in different colors to indicate the battery power.

When the device is fully charged, the LED light turns off.

- Blue LED light: 100%-60%
- Yellow LED light: 60%-10%
- Red LED light: 10%-0%

6. OPERATION INSTRUCTIONS

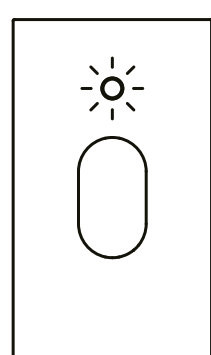
1. INDICATION OF REMAINING POWER

How to check the remaining battery capacity?

Click the heating button to activate the LED lamp when the device is turned off.

The LED light will indicate the remaining battery capacity.

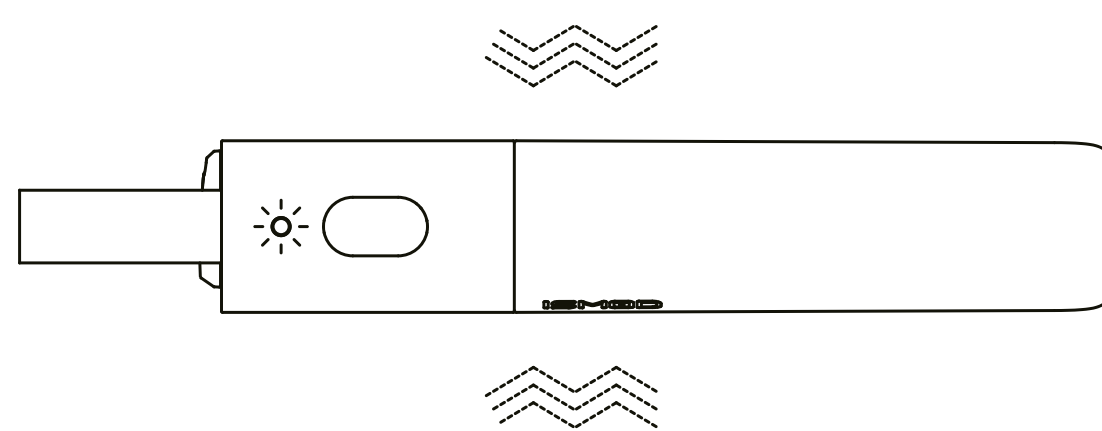
The LED light color indication are as follows:



- Blue LED light: 100%-60%
- Yellow LED light: 60%-10%
- Red LED light: 10%-0%

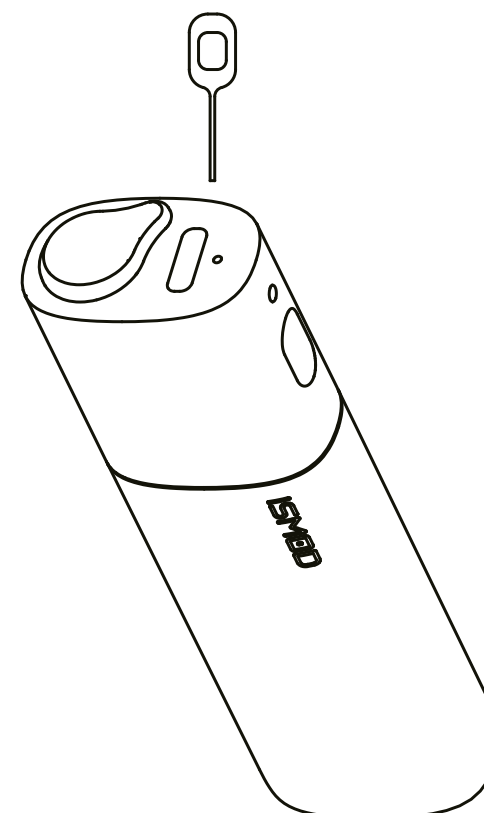
2. QUICK SHUTDOWN

Press and hold the switch button for 1.5 seconds after the vibration.



3. RESET

In case of abnormal light flashing or any other malfunction, insert a pin into the reset button and reset the device.



7. TROUBLESHOOTING

Problemi	Mënyra e kontrollit	Mënyra e zgjidhjes
A non-combustible tobacco cartridge cannot be inserted into the heating chamber.	Check for unburned tobacco residue from previous cartridges stuck in the heating chamber.	Clean the heating chamber.
The holder for non-combustible tobacco cartridges cannot be placed in the device	Check that the gap between the non-combustible tobacco cartridge holder and the heating chamber is aligned and secured correctly.	Clean the heating chamber.
The protective cover cannot be closed and fastened properly	Check the alignment between the protective cover and the device, make sure that the hole for the non-combustible tobacco cartridge is in a commensurate position.	Adjust the buttoning direction
Unable to start the device	Check the remaining power	Charge the device until the charge is complete
	The device has not been used for a long time	The power is completely consumed, the device needs to be charged
	The button is damaged	Send it to your local service center.
	The LED light indicator is damaged	Send it to your local service center.
The LED light is flashing	Check if the remaining battery capacity is low	Charge your device immediately.
The LED light flashes with occasional vibrations	Check if the needle of the heating element is damaged	Send it to your local service center.

8. DISCLAIMERS

1. ISMOD NANO is battery powered. When the battery level is empty it needs to be recharged. Do not place the ISMOD NANO near a high temperature environment or a heater to avoid battery damage.

2. Read all instructions carefully before using ISMOD NANO. Keep the User Guide for future reference.

When using ISMOD NANO follow the manufacturer's instructions to avoid possible injury.

The warnings and safety instructions in this user guide cannot cover all possibilities and situations that may arise.

Be careful when using or maintaining your personal electronic product.

3. Use only with an exclusive cartridge of non-combustible tobacco.

4. ISMOD NANO contains lithium batteries, for their disposal follow the requirements of the local government.

☆ LITHIUM BATTERY

1. If the product is stored for a long time at a high temperature, the lithium battery will disintegrate.

2. The battery will discharge when stored for a long time without working. Charge the device before using it.

3. When you are not using the device for a long time, avoid storing it in a fully charged state or in high temperature/humidity conditions to avoid accelerated battery failure.

4. Avoid placing the battery in fire to prevent explosion hazard.